



120 AETJ C 3D Compact

↑ Working height11.95 m
Platform height.....9.95 m
Horizontal outreach7.00 m
Up and over height4.77 m
Jib movement.....+70° / -70°
Option 3D.....+70° / -70°
Basket rotation.....140°
Turret rotation350°

Platform capacity.....200 kg/2 peoples
External use.....45 km/h
 (Maximum allowed wind speed)
Basket size.....1.20 x 0.96 m

① Width1.20 m
② Length.....5.48 m
③ Stowed length (storage).....3.74 m
④ Height1.99 m
⑤ Stowed height (storage).....2.16 m

⑥ Turning radius inside1.55 m
⑦ Turning radius outside3.25 m
⑧ Turning radius outside (basket).....3.34 m
⑨ Ground clearance0.10 m
⑩ Wheel base1.65 m
Drive speed6.0 km/h
Working speed0.6 km/h

Gradeability25%
Maximum slope accepted5% or 3°

Weight.....6 550 kg

Tires.....0.60 x 0.19 m
Wheel steer.....2 (front)
Wheel drive.....2 (back)

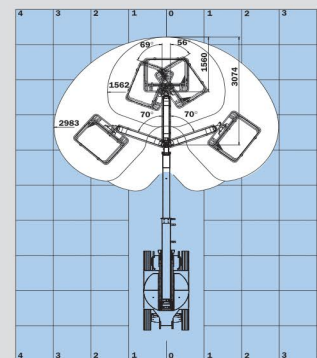
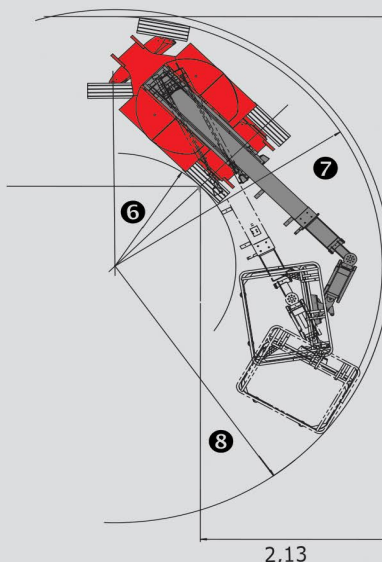
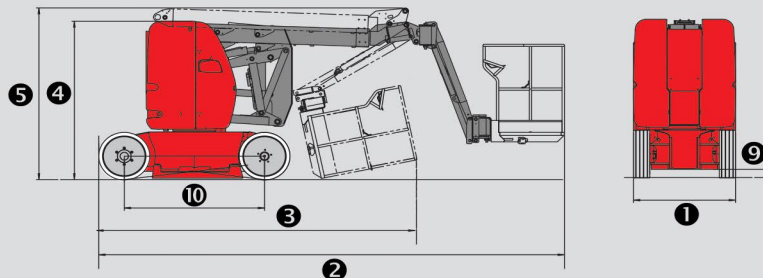
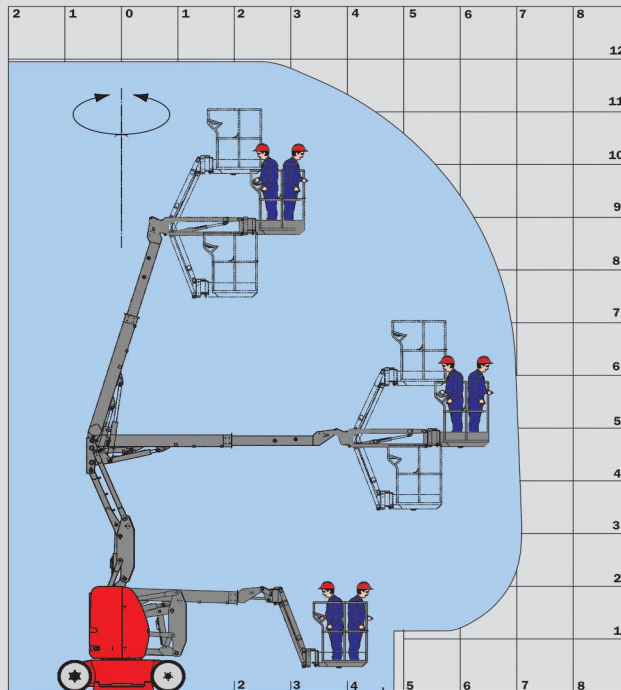
Batteries.....300 Ah / 2x24 V
Battery charger.....45 Ah/48 V

Standard equipment

- Electrical battery traction
- Negative brakes
- Lifting brackets
- Hour meter
- Warning buzzer in the basket
- 220 V predisposal
- Voltage indicator
- Safety manual pump
- Basket with mesh floor
- Bus CAN technology
- Diagnostic help integrated
- Dual electrical motors
- Rubber and no marking tires
- Anti-roll system
- Integrated charger

Options

- **Jib rotation (3D)**
- High capacity battery (360 Ah)
- Electric plug in the platform with circuit breaker (230 V)
- Flashing light
- Drive alarm



Option 3D : Jib rotation

The equipment supplied with each model may differ from that described in this leaflet. For more details, contact your MANITOU dealer.

